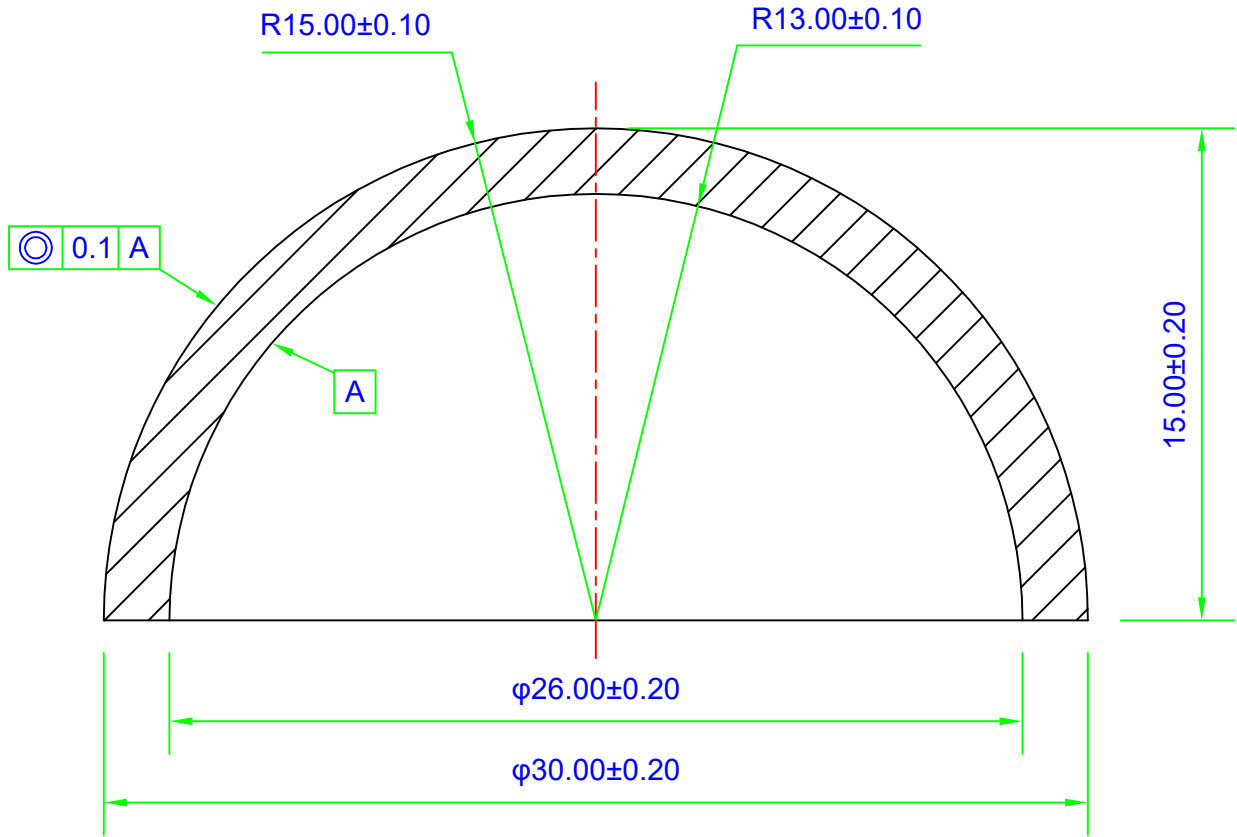


REVISIONS			
LTR	ECD	DATE	APPROVED



SURFACE 1	MATERIAL	SURFACE 2
R = 15.00 ± 0.10mm 3/ 10(5) 4/ 5/ 60-40 Chamfer: 0.2-0.5mm × 45°	UV Fused Silica nd= vd= 0/ 1/ 2/ 6/	R = 13.00 ± 0.10mm 3/ 10(5) 4/ 5/ 60-40 Chamfer: 0.2-0.5mm × 45°

PROTECTIVE CHAMFERS AS NEEDED	ALL DIMENSIONS IN MM UNLESS OTHERWISE STATED			 MANUFACTURER FROM CHINA	
NOTICE: DIMENSIONS ARE FOR REFERENCE ONLY	IF IN DOUBT -ASK	Name	DATE	TITLE	CATALOG OF CLZ OPTICAL DOMES 30mm DIA, 2mm THICK, UNCOATED Fused Silica DOME
	TOLERANCE (UNLESS OTHERWISE STATED)	DESIGN	Lucas Luo		
FOR INFORMATION ONLY: DO NOT MANUFACTURE PARTS TO THIS DRAWING	.X ± FRACTION ±	CHECKED	Bonnie He	6/11/2016	SIZE
	.XX ± ANGLE ±	POS			
	.XXX ± GENERAL ±	ENG APPR			DWG NO
		MFG APPR			
					CLZ-DOME-30FS-A