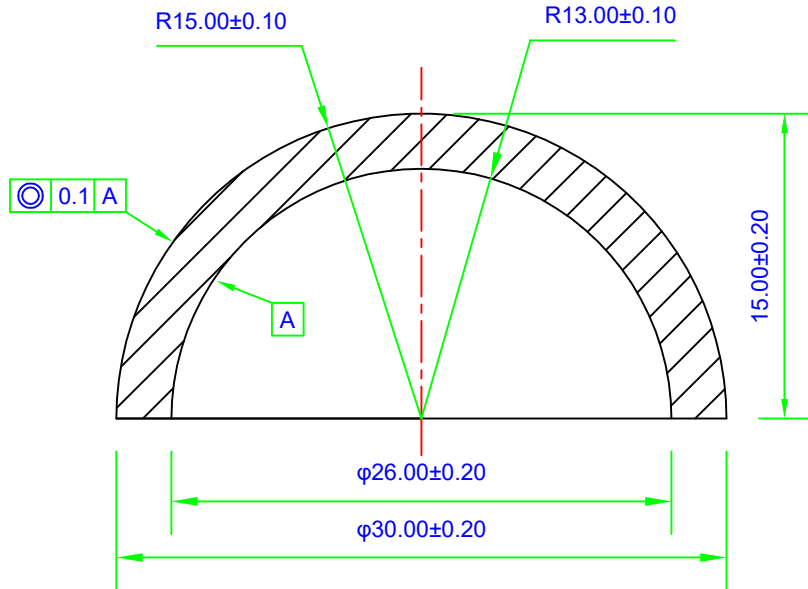


REVISIONS			
LTR	ECD	DATE	APPROVED



SURFACE 1	MATERIAL	SURFACE 2
<p>R = 15.00 ±0.10mm</p> <p>3/ 10(5) </p> <p>4/ 0.1 A</p> <p>5/ 60-40</p> <p>Chamfer: 0.2-0.5mm ×45°</p>	<p>H-K9L (CDGM)</p> <p>nd=1.51680</p> <p>vd=64.20</p> <p>0/</p> <p>1/</p> <p>2/</p> <p>6/</p>	<p>R = 13.00 ±0.10mm</p> <p>3/ 10(5) </p> <p>4/ A</p> <p>5/ 60-40</p> <p>Chamfer: 0.2-0.5mm ×45°</p>

PROTECTIVE CHAMFERS AS NEEDED	ALL DIMENSIONS IN MM UNLESS OTHERWISE STATED				
NOTICE: DIMENSIONS ARE FOR REFERENCE ONLY	IF IN DOUBT -ASK	Name	DATE	TITLE	CATALOG OF CLZ OPTICAL DOMES 30mm DIA, 2mm THICK, UNCOATED H-K9L DOME
	TOLERANCE (UNLESS OTHERWISE STATED)	DESIGN	Lucas Luo		
FOR INFORMATION ONLY: DO NOT MANUFACTURE PARTS TO THIS DRAWING	.X ± FRACTION ±	CHECKED	Bonnie He	6/10/2016	SIZE
	.XX ± ANGLE ±	POS			
	.XXX ± GENERAL ±	ENG APPR			DWG NO
		MFG APPR			
					CLZ-DOME-30E