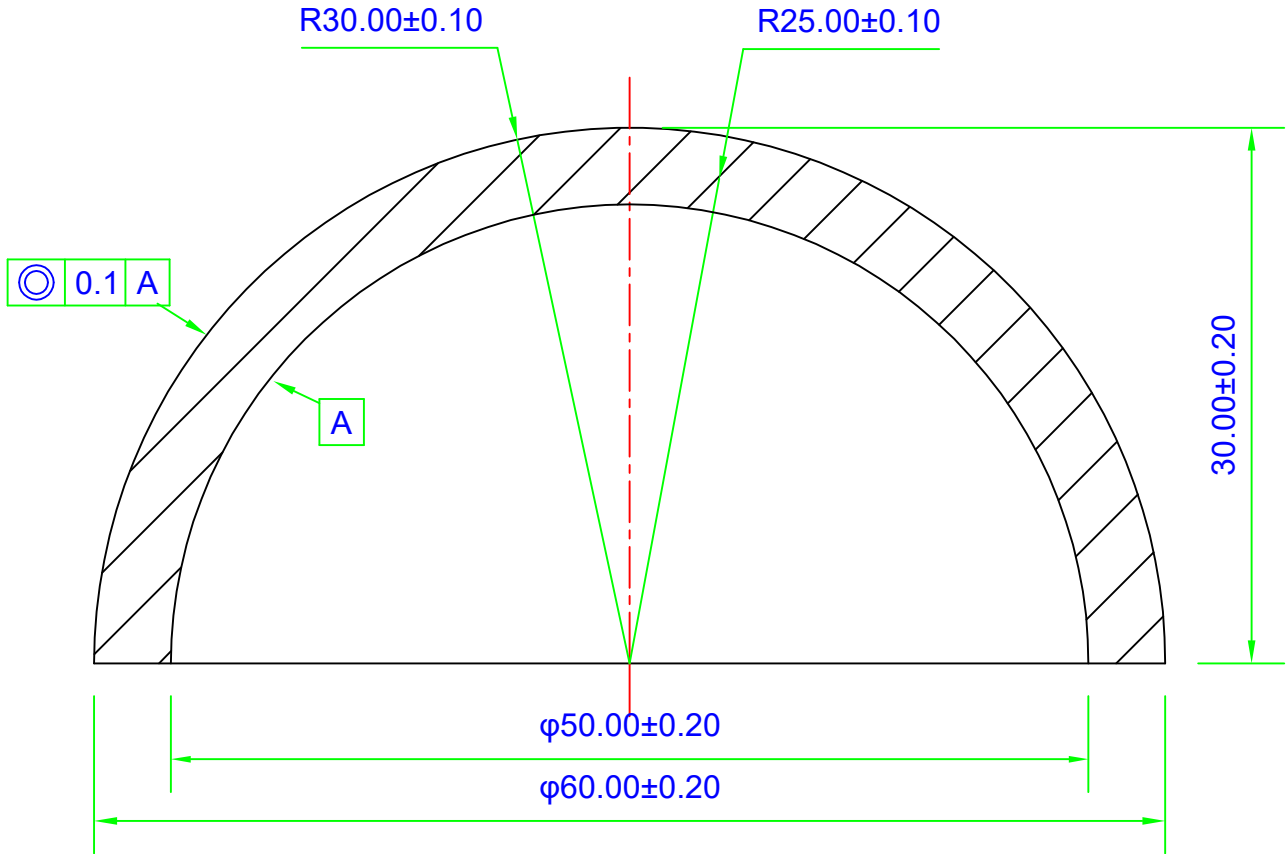


REVISIONS			
LTR	ECD	DATE	APPROVED



SURFACE 1	MATERIAL	SURFACE 2
R = 30.00 ± 0.10 mm 3/ 10(5) 4/ 0.1 A 5/ 60-40 Chamfer: 0.2-0.5mm $\times 45^\circ$	H-K9L (CDGM) nd=1.51680 vd=64.20 0/ 1/ 2/ 6/	R = 25.00 ± 0.10 mm 3/ 10(5) 4/ A 5/ 60-40 Chamfer: 0.2-0.5mm $\times 45^\circ$

PROTECTIVE CHAMFERS AS NEEDED	ALL DIMENSIONS IN MM UNLESS OTHERWISE STATED				
NOTICE: DIMENSIONS ARE FOR REFERENCE ONLY	IF IN DOUBT -ASK	Name	DATE	TITLE	CATALOG OF CLZ OPTICAL DOMES 60mm DIA, 5mm THICK, UNCOATED H-K9L DOME
	TOLERANCE (UNLESS OTHERWISE STATED)	DESIGN	Royan Luo		
FOR INFORMATION ONLY: DO NOT MANUFACTURE PARTS TO THIS DRAWING	.X \pm FRACTION \pm	CHECKED	Bonnie He	6/11/2016	SIZE
	.XX \pm ANGLE \pm	POS			
	.XXX \pm GENERAL \pm	ENG APPR			DWG NO
		MFG APPR			
					CLZ-DOME-60B