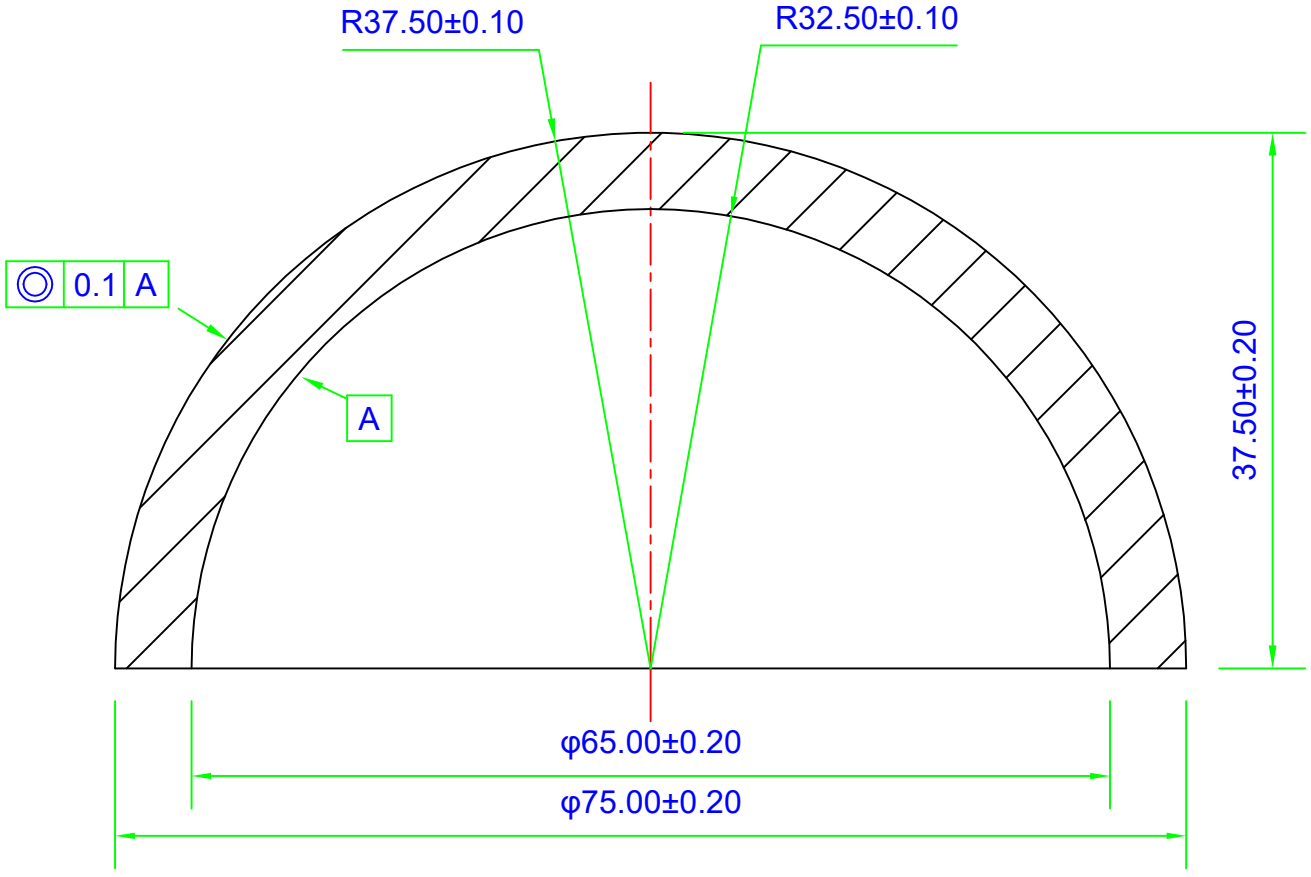


REVISIONS			
LTR	ECD	DATE	APPROVED



SURFACE 1	MATERIAL	SURFACE 2
R = 37.50 ±0.10mm 3/ 10(5) 4/ 5/ 60-40 Chamfer: 0.2-0.5mm ×45°	H-K9L (CDGM) nd=1.51680 vd=64.20 0/ 1/ 2/ 6/	R = 32.50 ±0.10mm 3/ 10(5) 4/ 5/ 60-40 Chamfer: 0.2-0.5mm ×45°

PROTECTIVE CHAMFERS AS NEEDED	ALL DIMENSIONS IN MM UNLESS OTHERWISE STATED			 <b>CLZ OPTICAL</b> <small>MANUFACTURER FROM CHINA</small>		
	IF IN DOUBT -ASK	Name	DATE			
NOTICE: DIMENSIONS ARE FOR REFERENCE ONLY	TOLERANCE (UNLESS OTHERWISE STATED)	DESIGN	Royan Luo	6/12/2016	TITLE	CATALOG OF CLZ OPTICAL DOMES 75mm DIA, 5mm THICK, UNCOATED H-K9L DOME
	.X ± FRACTION ±	CHECKED	Bonnie He	6/14/2016		
FOR INFORMATION ONLY: DO NOT MANUFACTURE PARTS TO THIS DRAWING	.XX ± ANGLE ±	POS			SIZE	A4
	.XXX ± GENERAL ±	ENG APPR			DWG NO	CLZ-DOME-75B
		MFG APPR				