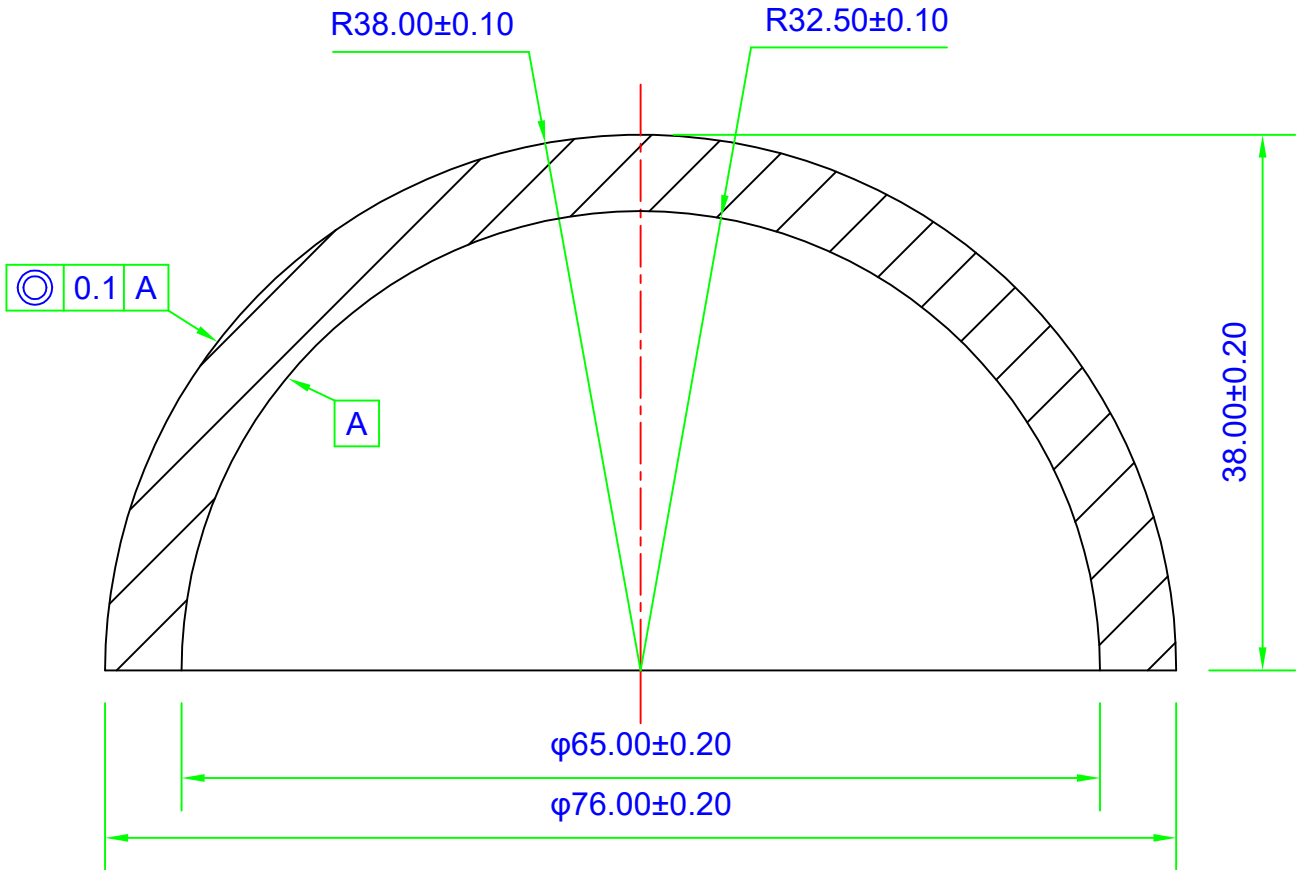


REVISIONS			
LTR	ECD	DATE	APPROVED



SURFACE 1	MATERIAL	SURFACE 2
R = 38.00 ±0.10mm 3/ 10(5) 4/ 5/ 60-40 Chamfer: 0.2-0.5mm ×45°	H-K9L (CDGM) nd=1.51680 vd=64.20 0/ 1/ 2/ 6/	R = 32.50 ±0.10mm 3/ 10(5) 4/ 5/ 60-40 Chamfer: 0.2-0.5mm ×45°

PROTECTIVE CHAMFERS AS NEEDED	ALL DIMENSIONS IN MM UNLESS OTHERWISE STATED			 CLZ OPTICAL MANUFACTURER FROM CHINA		
	IF IN DOUBT -ASK	Name	DATE			
NOTICE: DIMENSIONS ARE FOR REFERENCE ONLY	TOLERANCE (UNLESS OTHERWISE STATED)	DESIGN	Royan Luo	6/12/2016	TITLE	CATALOG OF CLZ OPTICAL DOMES 76mm DIA, 5.5THICK, UNCOATED H-K9L DOME
		CHECKED	Bonnie He	6/14/2016		
FOR INFORMATION ONLY: DO NOT MANUFACTURE PARTS TO THIS DRAWING	.X ± FRACTION ± .XX ± ANGLE ± .XXX ± GENERAL ±	POS			SIZE	A4
		ENG APPR			DWG NO	CLZ-DOME-76
		MFG APPR				