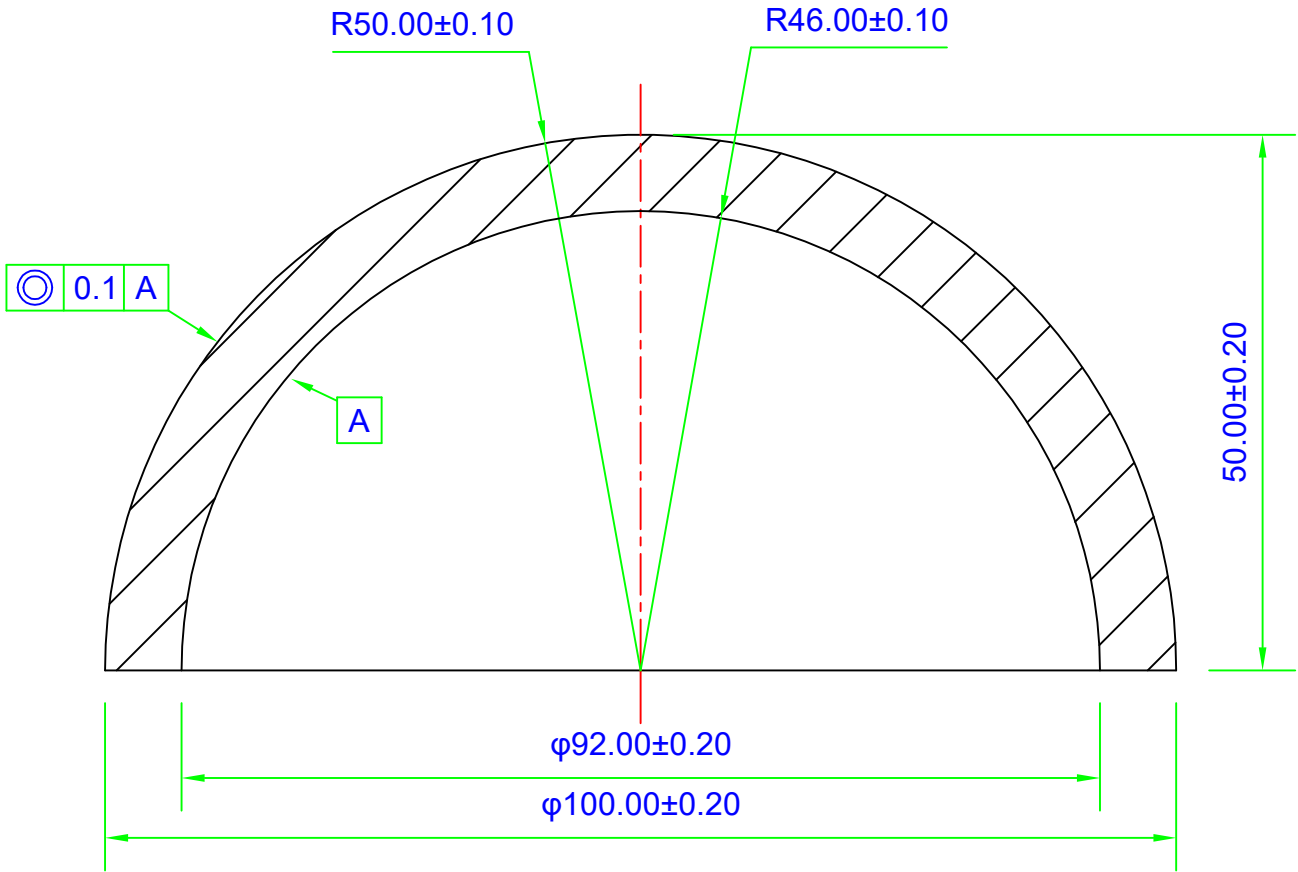


REVISIONS			
LTR	ECD	DATE	APPROVED



SURFACE 1	MATERIAL	SURFACE 2
R = $50.00 \pm 0.10\text{mm}$ 3/ 10(5) $\diamond\diamond$ 4/ $\text{0.1 A}$ 5/ 60-40 Chamfer: $0.2-0.5\text{mm} \times 45^\circ$	H-K9L (CDGM) nd=1.51680 vd=64.20 0/ 1/ 2/ 6/	R = $46.00 \pm 0.10\text{mm}$ 3/ 10(5) $\diamond\diamond$ 4/ $\text{A}$ 5/ 60-40 Chamfer: $0.2-0.5\text{mm} \times 45^\circ$

PROTECTIVE CHAMFERS AS NEEDED	ALL DIMENSIONS IN MM UNLESS OTHERWISE STATED $\text{mm}$ $\text{mm}$			 <b>CLZ OPTICAL</b> <small>MANUFACTURER FROM CHINA</small>	
NOTICE: DIMENSIONS ARE FOR REFERENCE ONLY	IF IN DOUBT -ASK	Name	DATE	TITLE	CATALOG OF CLZ OPTICAL DOMES 100mm DIA, 4mm THICK, UNCOATED H-K9L DOME
	TOLERANCE (UNLESS OTHERWISE STATED)	DESIGN	Royan Luo		
FOR INFORMATION ONLY: DO NOT MANUFACTURE PARTS TO THIS DRAWING	.X $\pm$ FRACTION $\pm$	CHECKED	Eva Cheng	6/18/2016	SIZE
	.XX $\pm$ ANGLE $\pm$	POS			
	.XXX $\pm$ GENERAL $\pm$	ENG APPR			DWG NO
		MFG APPR			
					<b>CLZ-DOME-100B</b>