

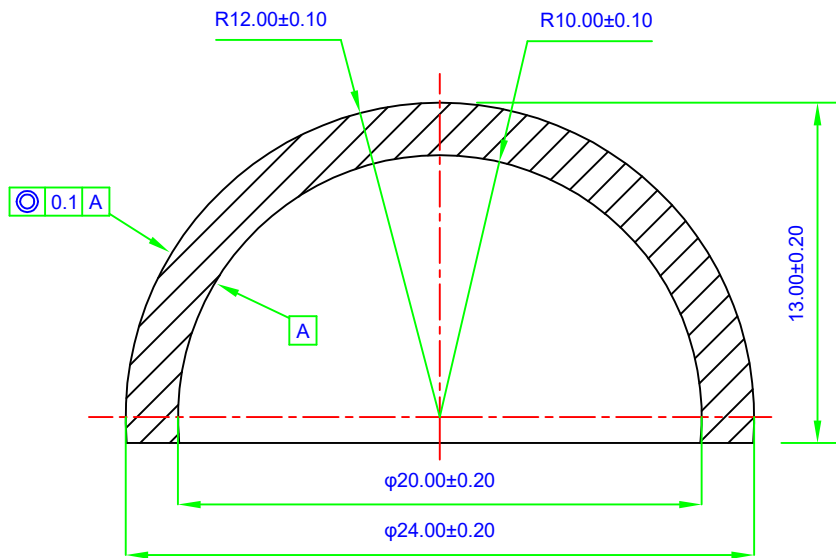
4



3



2

1

REVISIONS			
LTR	ECD	DATE	APPROVED



SURFACE 1	MATERIAL	SURFACE 2
<p>R = <math>12 \pm 0.10</math>mm</p> <p>3/ 10(5) </p> <p>4/ <math>\text{0.1 A}</math></p> <p>5/ 60-40</p> <p>Chamfer: 0.2-0.4mm <math>\times 45^\circ</math></p>	<p>N-BK7 (SCHOTT) OR EQUIVALENTS</p> <p><math>n_d=1.51680</math></p> <p><math>V_d=64.20</math></p> <p>0/ 1/ 2/ 6/</p>	<p>R = <math>10 \pm 0.10</math>mm</p> <p>3/ 10(5) </p> <p>4/ <math>A</math></p> <p>5/ 60-40</p> <p>Chamfer: 0.2-0.4mm <math>\times 45^\circ</math></p>

PROTECTIVE CHAMFERS AS NEEDED	ALL DIMENSIONS IN MM UNLESS OTHERWISE STATED 			 <small>MANUFACTURER FROM CHINA</small>		
	IF IN DOUBT -ASK	Name	DATE			
NOTICE. DIMENSIONS ARE FOR REFERENCE ONLY	TOLERANCE (UNLESS OTHERWISE STATED)	DESIGN	Royan Luo	6/01/2016	TITLE	CATALOG OF CLZ OPTICAL DOMES 24mm DIA, 2mm THICK, UNCOATED N-BK7 DOME
	.X ± FRACTION ±	CHECKED	Eva Cheng	6/04/2016		
FOR INFORMATION ONLY: DO NOT MANUFACTURE PARTS TO THIS DRAWING	.XX ± ANGLE ±	POS			SIZE	A4
	.XXX ± GENERAL ±	ENG APPR			DWG NO	CLZ-DOME-24
		MFG APPR				