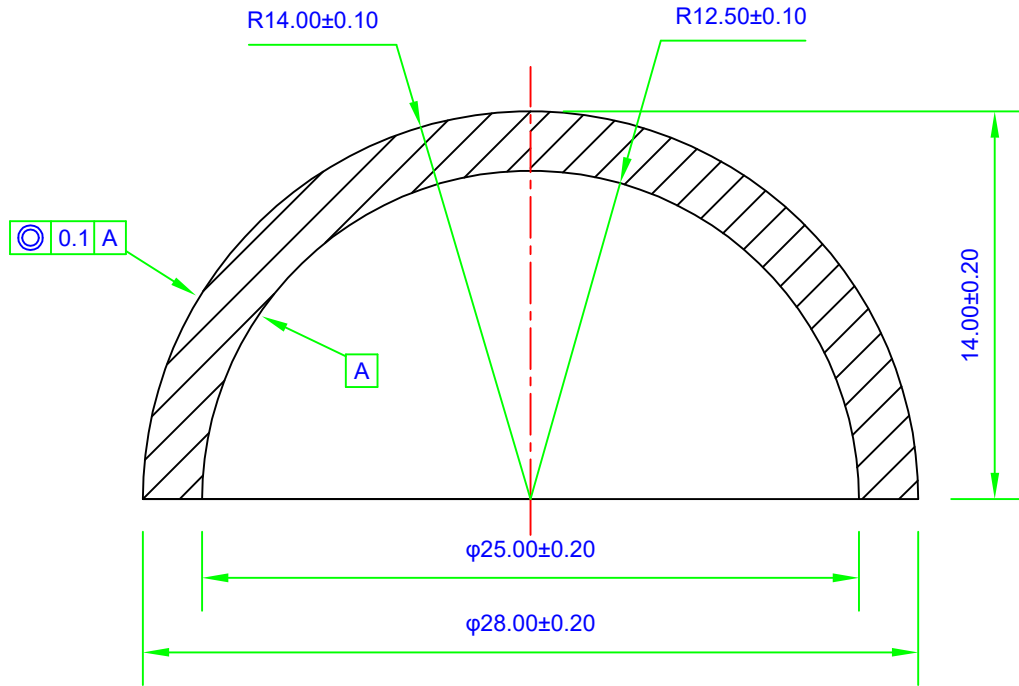


REVISIONS			
LTR	ECD	DATE	APPROVED



SURFACE 1	MATERIAL	SURFACE 2
R = $14.00 \pm 0.10$ mm 3/ 10(5) $\diamond\diamond$ 4/ $\textcircled{0.1 A}$ 5/ 60-40 Chamfer: 0.2-0.4mm $\times 45^\circ$	N-BK7 (SCHOTT) OR EQUIVALENTS nd=1.51680 vd=64.20  0/ 1/ 2/ 6/	R = $12.50 \pm 0.10$ mm 3/ 10(5) $\diamond\diamond$ 4/ $A$ 5/ 60-40 Chamfer: 0.2-0.4mm $\times 45^\circ$

PROTECTIVE CHAMFERS AS NEEDED	ALL DIMENSIONS IN MM UNLESS OTHERWISE STATED $\text{mm}$ $\text{mm}$			 <b>CLZ OPTICAL</b> <small>MANUFACTURER FROM CHINA</small>	
NOTICE: DIMENSIONS ARE FOR REFERENCE ONLY	IF IN DOUBT -ASK	Name	DATE	TITLE	CATALOG OF CLZ OPTICAL DOMES 28mm DIA, 1.5mm THICK, UNCOATED N-BK7 DOME
	TOLERANCE (UNLESS OTHERWISE STATED)	DESIGN	Royan Luo		
FOR INFORMATION ONLY: DO NOT MANUFACTURE PARTS TO THIS DRAWING	.X $\pm$ FRACTION $\pm$	CHECKED	Bonnie He	6/08/2016	SIZE
	.XX $\pm$ ANGLE $\pm$	POS			
	.XXX $\pm$ GENERAL $\pm$	ENG APPR			DWG NO
		MFG APPR			
					<b>A4</b>
					<b>CLZ-DOME-28A</b>